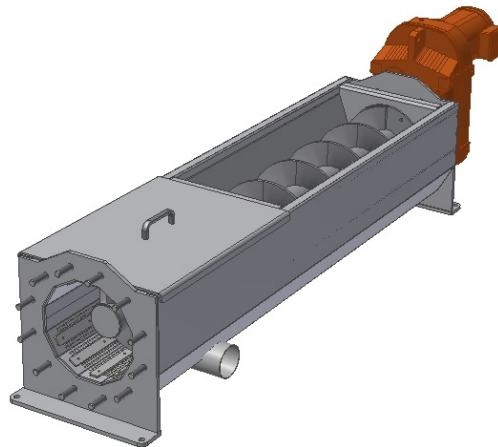


Wash Press Compactor WPC

- Modern construction from robust certified stainless high quality materials.
- Double trough gives high torque resistance and maximum dewatering capability.
- Double trough allows for long inlet lengths. Saving additional conveyors and enables optimum perforation area of the inner trough for high dewatering and good drainage.
- Robust wear steel lined screw and thick wear bars gives wear resistance and handles high compaction forces.
- Separate thrust bearing and flexible coupling compensates for angle variations protecting the gearbox.
- Compact design with selectable drive unit gives flexibility.
- Enclosed, safe & hygienic with easy to open access doors.

Height 300-600mm
Diameter 150-400mm
Capacity 0.5--10m³/h
Dry solids 40-60%



Wash Press Compactor WPC is a screw press for washing, compaction och conveying of screenings and wet waste. WPC forces the material into a pipe system and can be combined with Back Pressure Shredder BPS which gives heavy mechanical agitation for high washing, compaction and dewatering. The screw flights gives a pulsating treatment of smaller portions which also increases washing, dewatering, & compaction.

Andersson Water has hundreds of international references and has worked with machinery within water treatment for over 20 years. We offer the most innovative solutions and the most extensive knowledge on screening equipment. All our products are made acc to ISO & CE standards, We have strong steel working traditions and high quality culture. We only use certified materials and welders.