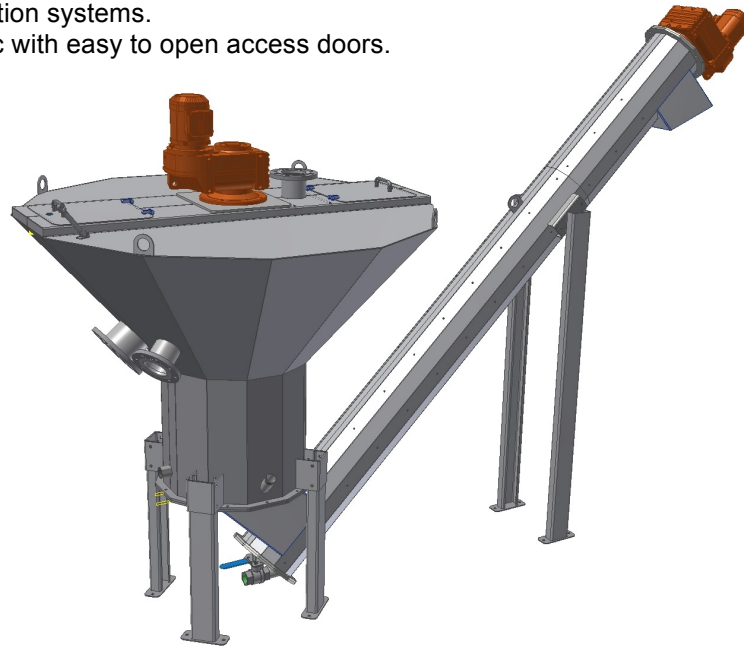


## Grit Washer Classifier GWC

- Modern construction from robust certified stainless high quality materials.
- Compact design with large surface & volume.
- Open clog free inlet & wash water injection.
- Variable sand level detection systems.
- Enclosed, safe & hygienic with easy to open access doors.

Capacity 5-30l/s  
Loss on ignition <5%



Grit Washer Classifier GWC separates, washes & dewateres sand from water. Street sand, filter sand and similar materials can be handled.

The sand/water mix is pumped or fed into the separation tank where sand settles to the washing zone and is mechanically agitated and washed. After washing the screw conveyor dewateres & conveys the sand. Excess water during pumping flows out over a weir and is led out. The organic material is led out separately or through the same outlet.

Andersson Water has hundreds of international references and has worked with machinery within water treatment for over 20 years. We offer the most innovative solutions and the most extensive knowledge on screening equipment. All our products are made acc to ISO & CE standards, We have strong steel working traditions and high quality culture. We only use certified materials and welders.