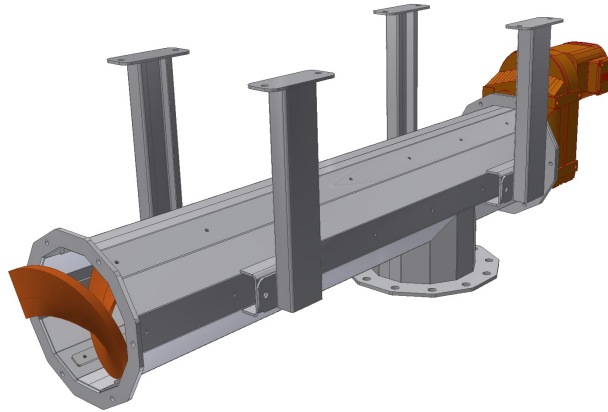


Back Pressure Shredder BPS

- Modern construction from robust certified stainless high quality materials.
- Pushing drive gives high capacity and reliable clog free operation.
- Mounted at the end of the pipe system or at the beginning gives more flexibility.
- Shredding gives good self ventilation which improves working environment.
- Eliminates need for pre wash tank systems.
- Enables emergency emptying during extreme conditions.
- Module system for easy adaptation of inlet, outlet, supports, drainage, drive unit etc.
- Enclosed, safe & hygienic with easy to open access doors.

Lenght 1-50m
Width 200-500mm
Capacity 1-50m³/h
Angle 0-90 degrees
Dryness 40-60% DS



Back Pressure Shredder BPS is an accessory for Wash Press Compactor WPC and various compactors and conveyors.

BPS gives maximum washing and compaction due to heavy mechanical agitation.

This is much more efficient than impeller tank pre washing systems.

BPS can be installed vertical, horisontal or angled. At the end or the beginning of a pipe system.

Andersson Water has hundreds of international references and has worked with machinery within water treatment for over 20 years.

We offer the most innovative solutions and the most extensive knowledge on screening equipment.

All our products are made acc to ISO & CE standards,

We have strong steel working traditions and high quality culture.

We only use certified materials and welders.